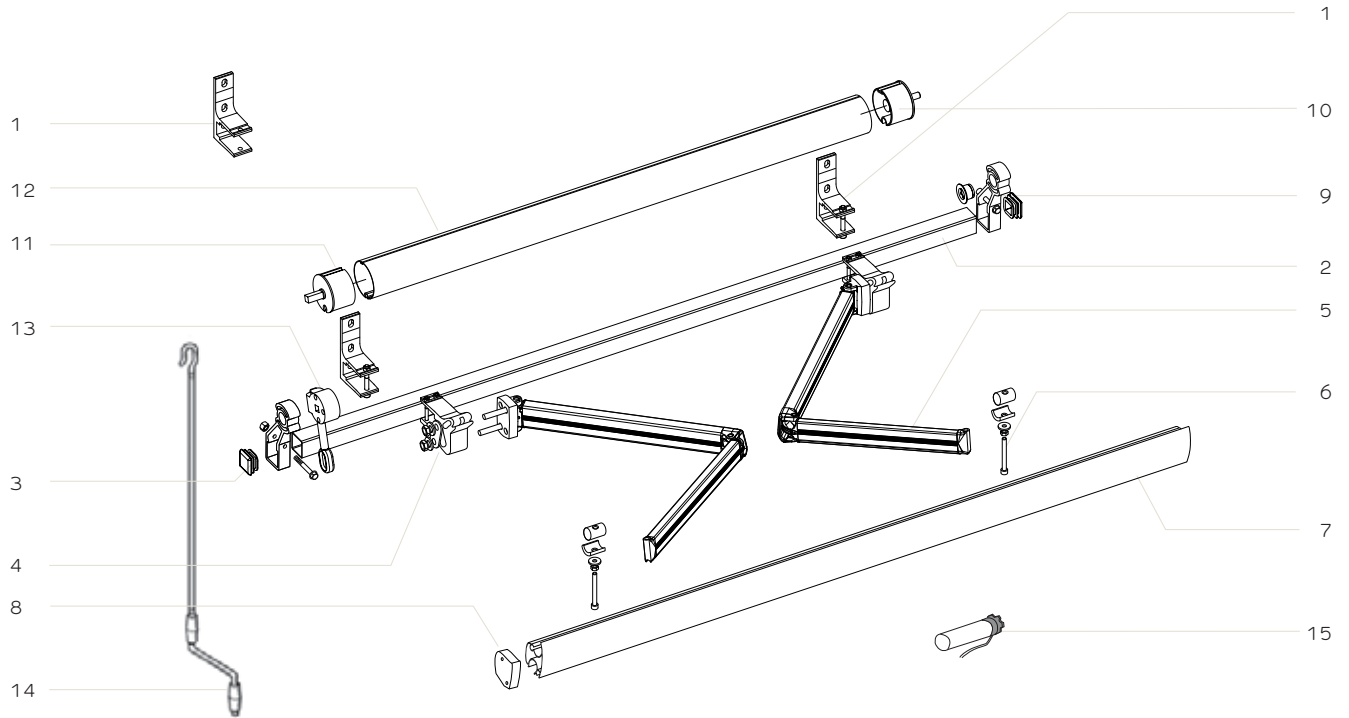
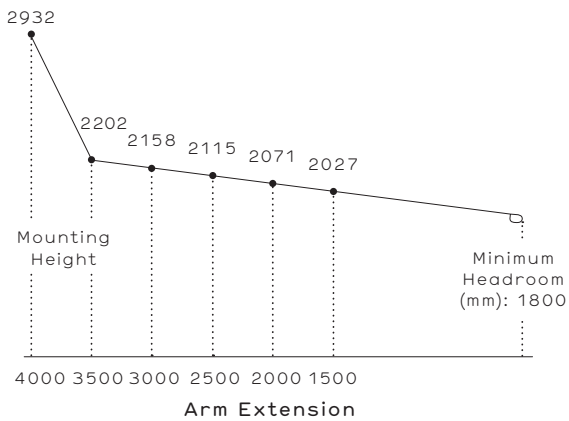


# Ellipse Monobloc



- 1 Face fix bracket 2 40 x 40 x 3mm aluminium square bar 3 Square end cap 4 Adjustable pitch arm bracket
- 5 Arms 6 Fall bar hand 7 Fall bar – extruded aluminium 8 Fall bar endcap 9 Roller tube support bracket
- 10 78mm idle end 11 78mm drive bearing 12 78mm aluminium roller tube 13 Gearbox 14 Crank handle
- 15 Motor – automation (optional)

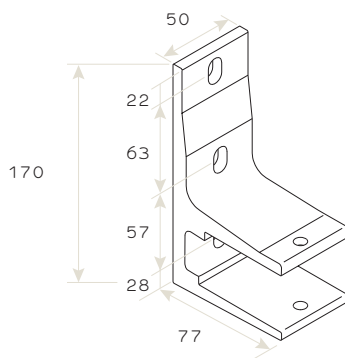
## INSTALLATION HEIGHT REQUIREMENTS (MM)



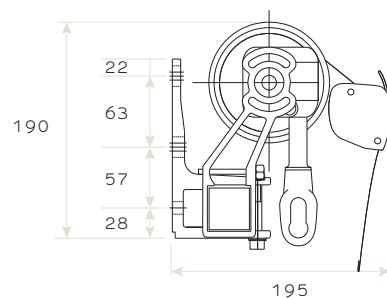
## MINIMUM WIDTH VS PROJECTION (mm)

PROJECTION	GEARBOX	AUTOMATED
1500	2020	1970
2000	2420	2370
2500	2920	2870
3000	3430	3380
3500	3988	3930
4000	4588	4530

## FACE FIX BRACKET (MM)

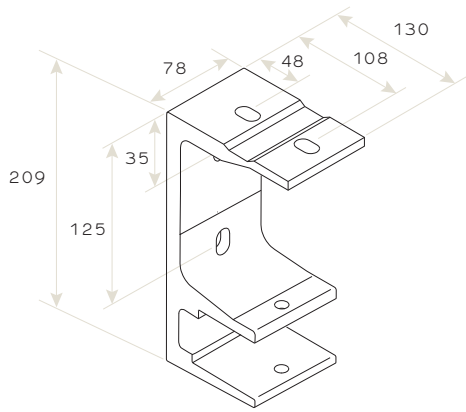


## FACE FIX (MM)

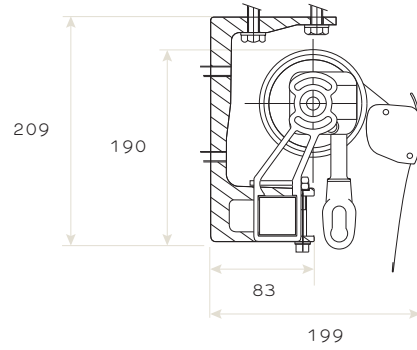


# Ellipse Monobloc

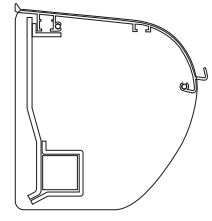
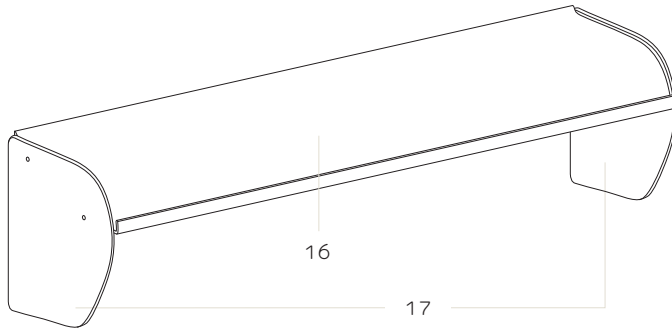
TOP FIX BRACKET (mm)



SOFFIT / TOP FIX (mm)



HOOD



18

- 16 Aluminum hood
- 17 Aluminium hood end plates
- 18 Hood bracket fixed to square bar

