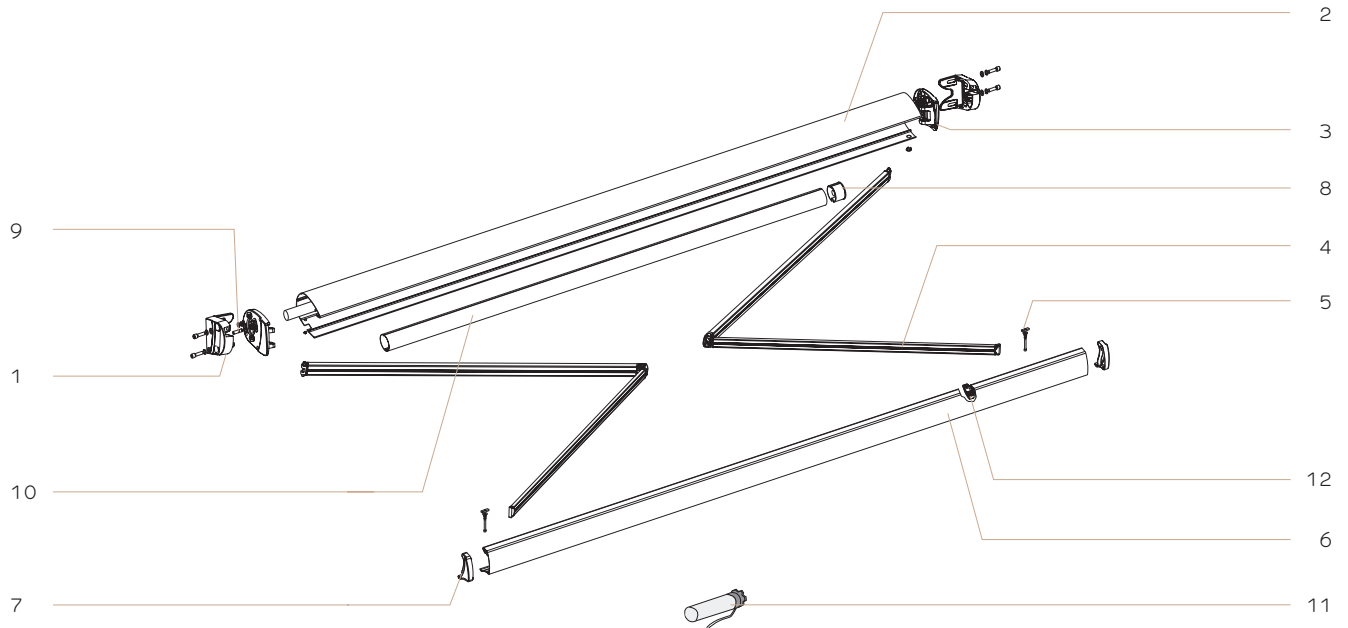
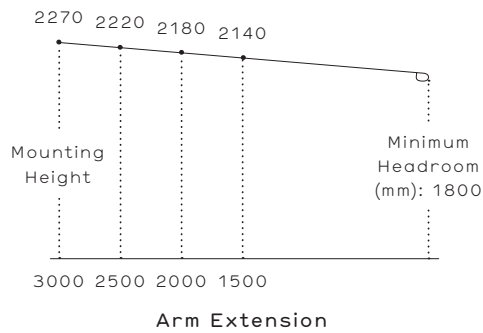


Integral Cassette



- 1 Face fix / Soffit fix bracket
- 2 Aluminium cassette
- 3 Adjustable pitch arm bracket
- 4 Arms
- 5 Fall bar hand
- 6 Fall bar
- 7 Fall bar end cap
- 8 78mm roller idle end
- 9 12mm axis
- 10 78mm aluminum roller tube
- 11 Motor – automation (optional)
- 12 Arm cam

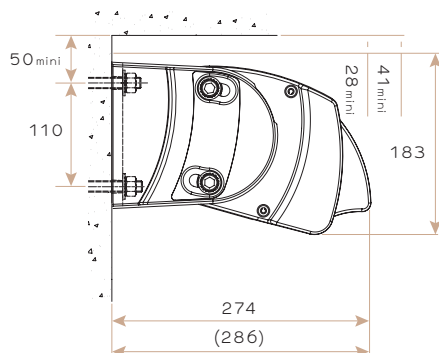
INSTALLATION HEIGHT REQUIREMENTS (mm)



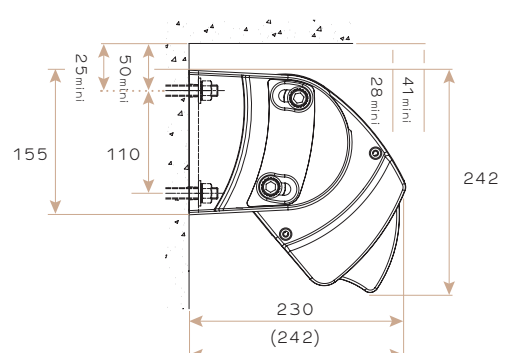
MINIMUM WIDTH VS PROJECTION (mm)

PROJECTION	WIDTH
1500	1815
2000	2307
2500	2829
3000	3321

FACE FIX INCLINATION MIN. 5° (mm)

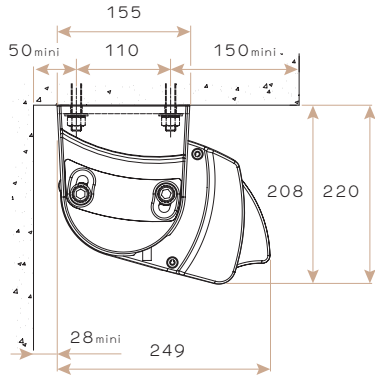


FACE FIX INCLINATION MAX. 38° (mm)

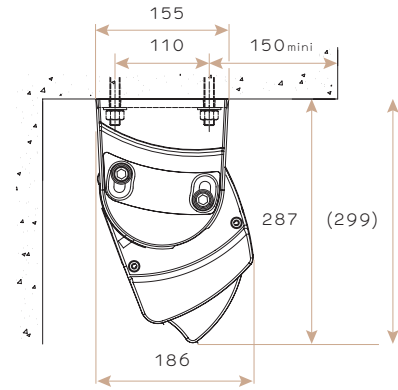


Integral Cassette

TOP FIX / SOFFIT INCLINATION MIN. 5° (mm)



TOP FIX / SOFFIT INCLINATION MAX. 58° (mm)



FACE FIX / SOFFIT FIX BRACKET (mm)

