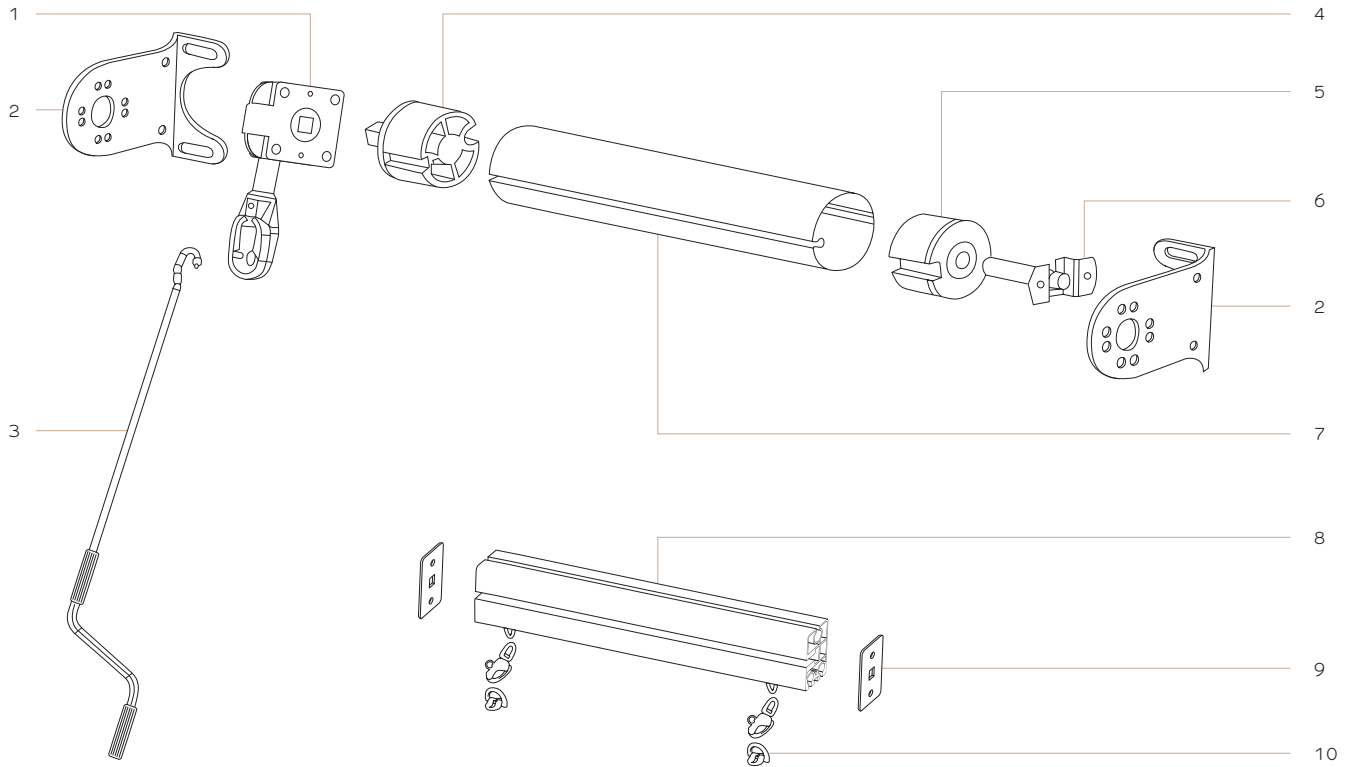


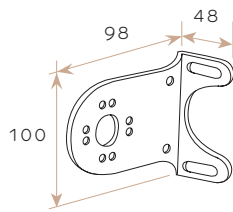
# Omni Lite

1.

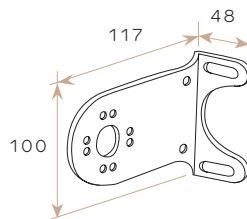


- 1 Gearbox   2 Mounting bracket   3 Crank handle   4 Drive end   5 Idler end   6 Pivot pin & plate
- 7 Keyway tube   8 Bottom rail   9 End Cap   10 S/S anchor clips

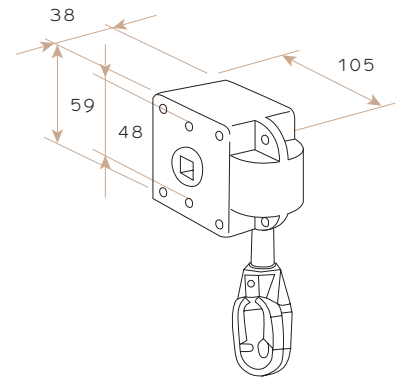
MOUNTING BRACKET 65mm



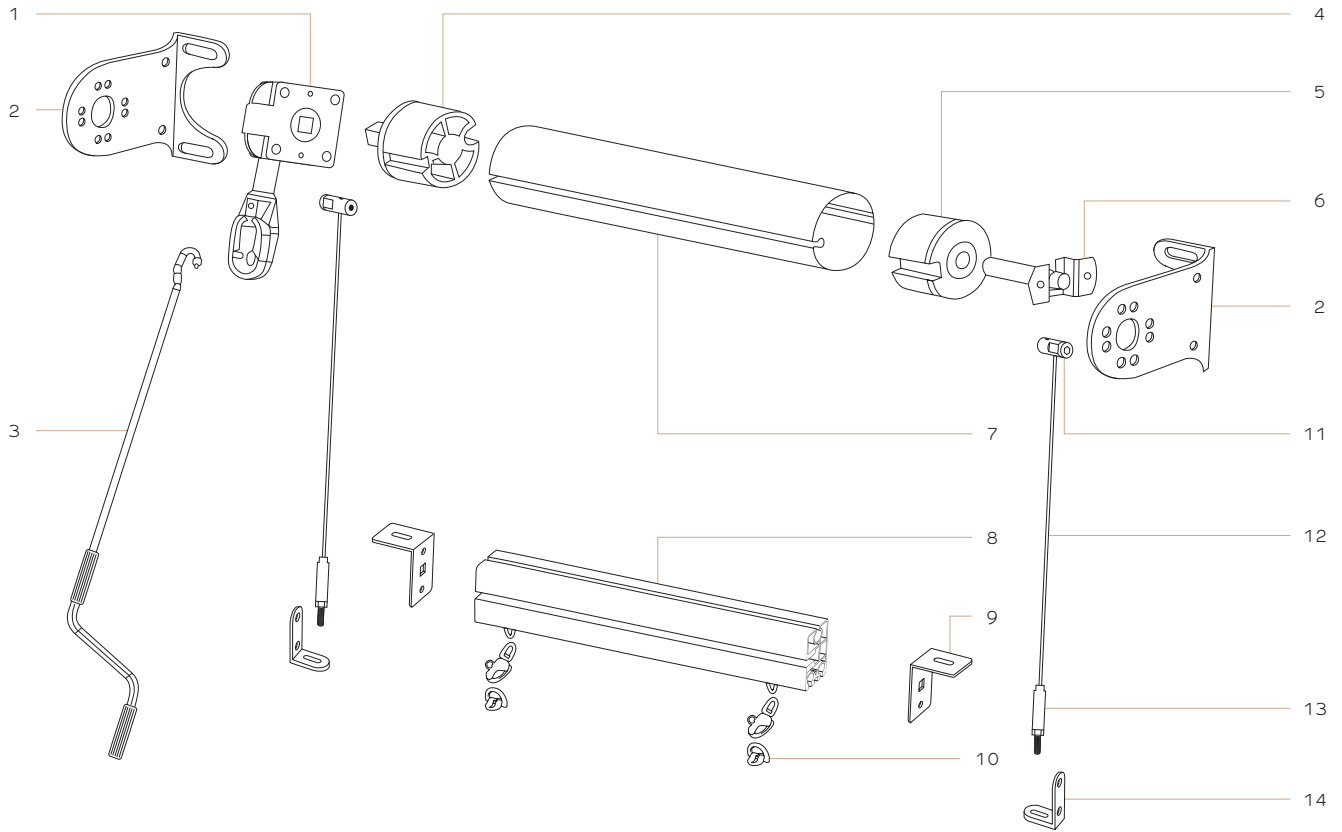
MOUNTING BRACKET 80mm



GEARBOX 7:1 (mm)

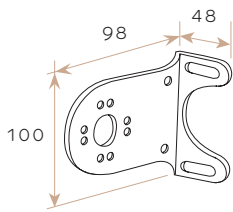


# Omni Guide

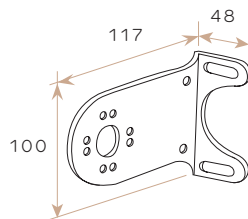


- 1 Gearbox 2 Mounting bracket 3 Crank handle 4 Drive end 5 Idler end 6 Pivot pin & plate 7 Keyway tube
- 8 Bottom rail 9 End Caps 10 S/S anchor clips 11 Top Bush 12 3.2mm Wire 13 Tension Bush 14 L Bracket

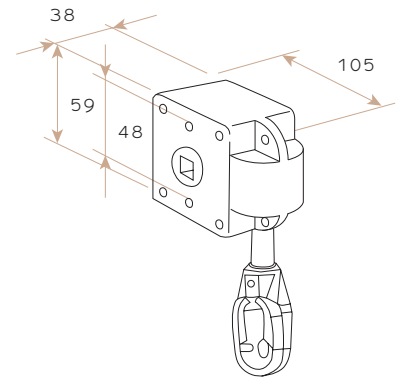
MOUNTING BRACKET 65mm



MOUNTING BRACKET 80mm

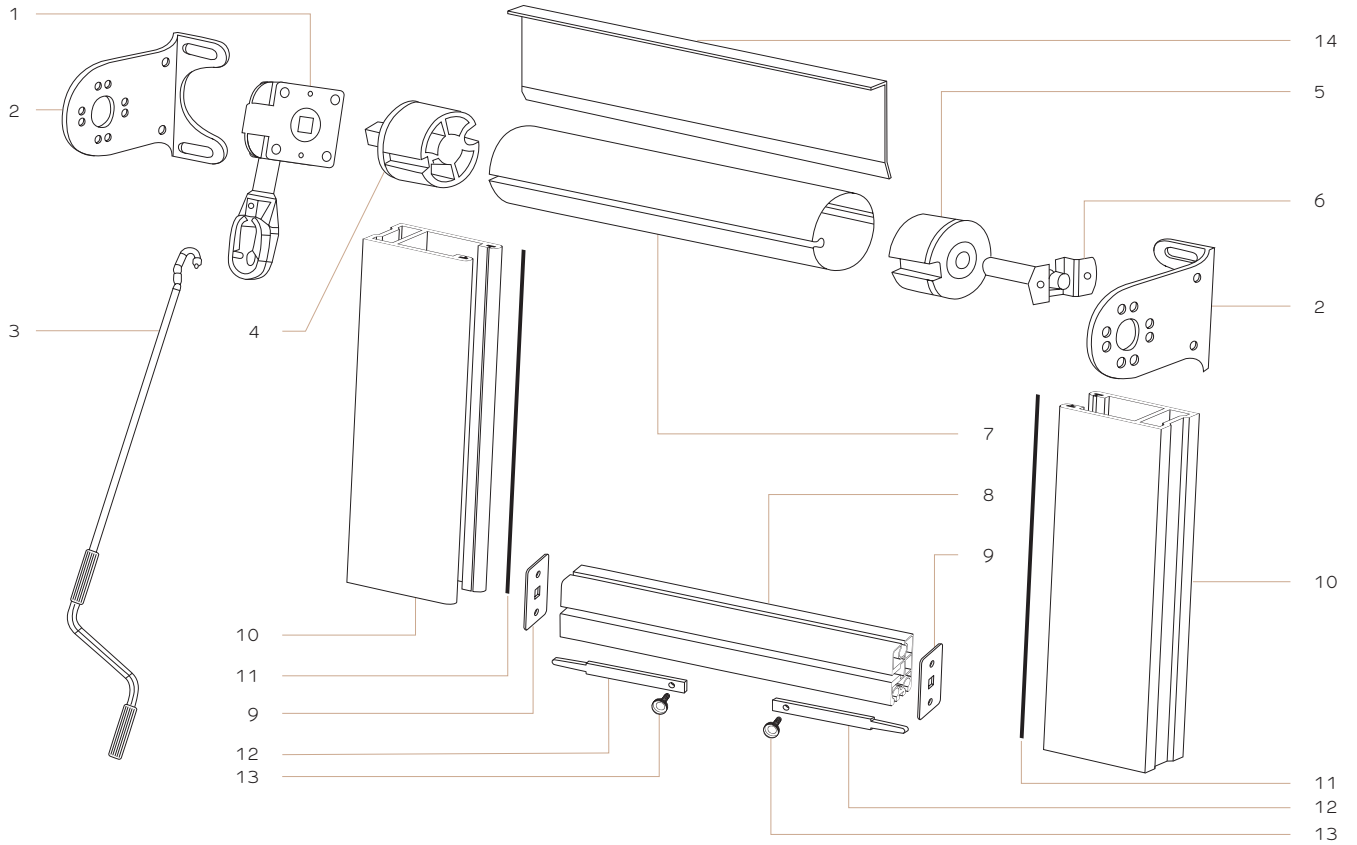


GEARBOX 7:1 (mm)



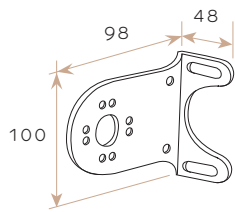
# Omni Channel

1.

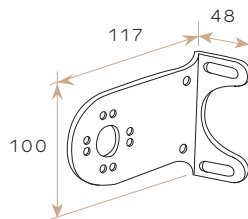


- 1 Gearbox 2 S/S Mounting bracket 3 Crank handle 4 Drive end 5 Idler end 6 Pivot pin & plate 7 Roller tube
- 8 Bottom rail 9 End Cap 10 Side Channel 11 Brush Insert 12 Slide Lock 13 Thumb Screw 14 Flashing (Optional)

MOUNTING BRACKET 65mm



MOUNTING BRACKET 80mm



GEARBOX 7:1 (mm)

